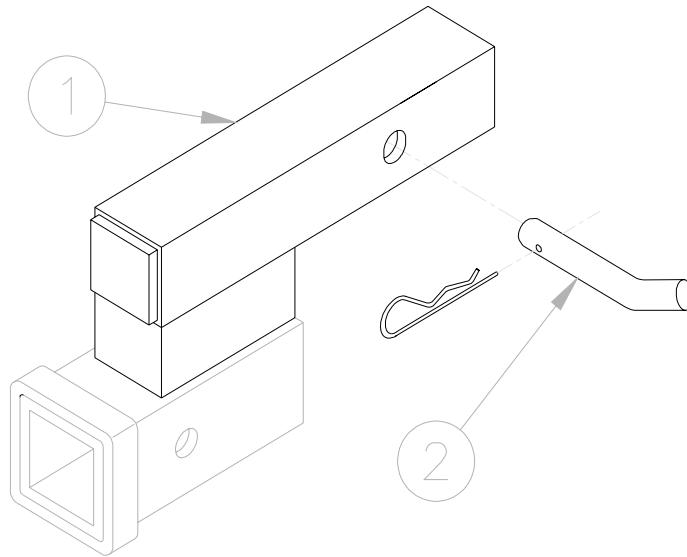




**Installation Instructions
Drop Receivers
BX88128, BX88129, BX88130, BX88131, BX88132**

1. Slide the drop receiver into the receiver hitch and pin it in place with the 5/8" pin and clip provided.



Parts List

Ref. No.	Qty.	Part No.	Description
1	1	61-5350	Weldment, 2 Inch Drop Receiver
	1	61-5351	Weldment, 4 Inch Drop Receiver
	1	61-5352	Weldment, 6 Inch Drop Receiver
	1	61-5353	Weldment, 8 Inch Drop Receiver
	1	61-5354	Weldment, 10 Inch Drop Receiver
2	1	200-1483	Pin, 5/8 X 3 Eff. w/ clip

