

# BLUE OX<sup>®</sup>

## Permanent Baseplate Safety Cables

## Installation Instructions

### Permanent Baseplate Safety Cable Kit

Permanent baseplate safety cables are recommended when towing a vehicle with a tow bar. The principle function of the permanent baseplate safety cables is to prevent the towed vehicle from breaking loose in the event the connection between the frame of the towed vehicle and the baseplate fails or becomes disconnected. The cables must be connected from the baseplate to the frame rail or cross member of the vehicle's frame. The illustrations below show the possible arrangements recommended by Blue Ox. Each permanent baseplate safety cable must have an adequate weight rating for the towing system. The weight rating of the two cables together will **not** qualify.

### To Install Permanent Baseplate Safety Cables

Models with a small convenience link (Baseplates designed after January 2006):

Attach one quick link to the small convenience link on the baseplate cross member. Attach the opposite end of the permanent baseplate safety cable to the towed vehicle's frame rail or the cross member of the vehicle's frame utilizing the provided quick link (See Option 1).

Models without a small convenience link (Baseplates designed before January 2006):

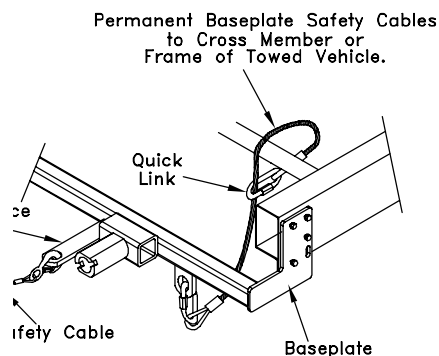
Wrap the permanent baseplate safety cable around the baseplate cross member and attach with the quick link. Attach the opposite end of the permanent baseplate safety cable to the towed vehicle's frame rail or cross member of the vehicle's frame utilizing the provided quick link (See Option 2).

***Do not mount the Permanent Baseplate Safety Cables against wires, hoses or brake lines.***

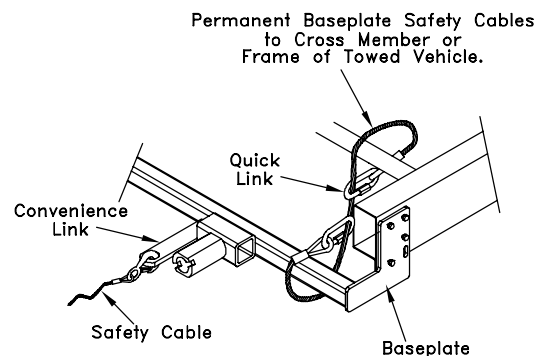
These permanent baseplate safety cables will remain installed as long as the baseplate is installed on the vehicle. Permanent baseplate safety cables are to be used in conjunction with, and NOT a replacement for legally required safety cables attaching the towed vehicle to the towing vehicle.

NEED TO BE INSTALLED ON  
BOTH SIDES OF BASEPLATE.

#### OPTION #1



#### OPTION #2



# Installing Permanent Baseplate Safety Cables

BLUE OX®

## DO NOT USE DAMAGED PERMANENT BASEPLATE SAFETY CABLES.

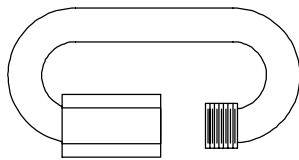
## Customer Service Commitment

Blue Ox® is focused on providing exemplary customer service, as observed in our mission statement and guiding principles. In accordance with this objective, Blue Ox® is proud to provide services such as repairs and general maintenance of Blue Ox® products at over 150 RV Rallies.

Look for our Destination America or Blue Ox® Racing service crews at the next rally or NASCAR race that you attend. If you were not present, you will find an informative, personalized note explaining any services that may have been performed to your Blue Ox® products.

Blue Ox® also offers educational seminars at rallies and through our Park and Resort teams. In addition, Blue Ox® customers visiting our factory may take advantage of the well-equipped Blue Ox® RV park at no charge to you, our valued and appreciated customer.

## Quick Link



1. To open the quick link turn fastener of the quick link counter clockwise.
2. Attach the quick link to the small convenience link on the baseplate (if provided See Figure 1 Option #1) or affix to baseplate (See Figure #1 Option #2).
3. To close the quick link turn the fastener of the quick link clockwise to securely fasten the permanent baseplate safety cable.



## WARNING:

### USE ONLY GENUINE FACTORY REPLACEMENT PARTS.

Do NOT substitute homemade or non-typical parts. This may cause your safety cables to fail and result in injury or death. If repairs of parts or components of your safety cables are needed, you may order them through your nearest Blue Ox® Dealer or Distributor, or call our 24/7 Customer Care Team at (402) 385-3051.

## CONTENTS:

The contents of your package will contain **ONE** of the following sets of permanent baseplate safety cables.

PART #	QTY.	DESCRIPTION
BX88207	1 (set)	Permanent Baseplate Safety Cables 3' CL III (5,000 lbs)
BX88208	1 (set)	Permanent Baseplate Safety Cables 3' CL VI (10,000 lbs)