



Installation Instructions

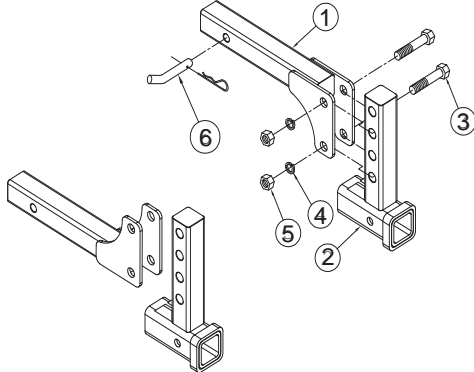
Adjustable Drop Receiver BX88223

Installation for Adjustable Drop Receiver BX88223

This Adjustable Drop Receiver is rated Class IV with a maximum GVWR of 10,000 lbs. and a maximum tongue weight of 1000 lbs. It is designed for use with 2" hitch receivers and equipped with its own 2" hitch receiver. Adjustable in 2" increments to the towed vehicle receiver to heights of 4", 6", 8" and 10".

Contents:

Ref #	Qty.	Part #	Description
1	1	61-6314	Weldment, Adjuster Bar, BX88223
2	1	61-6313	Weldment, Adjuster Rec, BX88223
3	2	201-0734	3/4-16 x 4" Hex Bolt, Gr 5, ZP
4	2	203-0014	3/4" Lock Washer
5	2	202-0112	3/4-16 Hex Nut, ZP
6	1	200-1483	Pin, 5/8 x 3" Eff. w/Clip



Numbered drawing shows adjustable drop receiver in standard position.
Non-numbered drawing shows inverted position.

WARNING:

USE ONLY GENUINE FACTORY REPLACEMENT PARTS.

Do NOT substitute homemade or non-typical parts. This may cause your Adjustable Drop Receiver to fail and result in injury or death. If repairs of parts or components of your Adjustable Drop Receiver are needed, you may order them through your nearest Blue Ox® dealer or distributor, or call our 24/7 Customer Care Team at (402) 385-3051 or toll free at (888) 425-5382.

Installation Instructions

1. Slide adjuster bar into the receiver hitch. Insert pin through adjuster bar and insert clip through pin.
2. Align adjuster receiver to adjuster bar at desired height. Install hex bolts with lock washers and hex nuts and tighten.
3. Insert bolt or pin provided with tow bar through adjuster receiver.

Note: To obtain proper ball height, the adjuster bar can be placed in the receiver hitch in an inverted position. This may be necessary with towing vehicles which have a high ground clearance. Drop receiver requires vertical clearance at the rear of the coach. Assure that clearance exists beginning 10 3/4" from the coach receiver pin hole to the back of drop receiver.

At Blue Ox® we pride ourselves in offering exceptional customer service to our valued customers.

If you have any questions, comments, or concerns please feel free to contact a member of our 24/7 Customer Care Team by calling (402) 385-3051 or toll free at (888)425-5382.

BLUE OX® Customer Service Commitment

Blue Ox® is focused on providing exemplary customer service, as observed in our mission statement and guiding principles. In accordance with this objective, Blue Ox® is proud to provide services such as repairs and general maintenance of Blue Ox® products at over 150 RV Rallies. Look for our Destination America or Blue Ox® Racing service crews at the next rally or race that you attend. If you were not present, you will find an informative, personalized note explaining any services that may have been performed to your Blue Ox® products.

Blue Ox® also offers educational seminars at rallies and through our Parks and Resort teams. In addition, Blue Ox® customers visiting our factory may take advantage of the well-equipped Blue Ox® RV park at no charge to you, our valued and appreciated customer.



© 2006 Blue Ox
One Mill Road, Industrial Park
Pender, Nebraska 68047
Phone: (402) 385-3051
Fax: (402) 385-3360
www.blueox.us
2/15/08